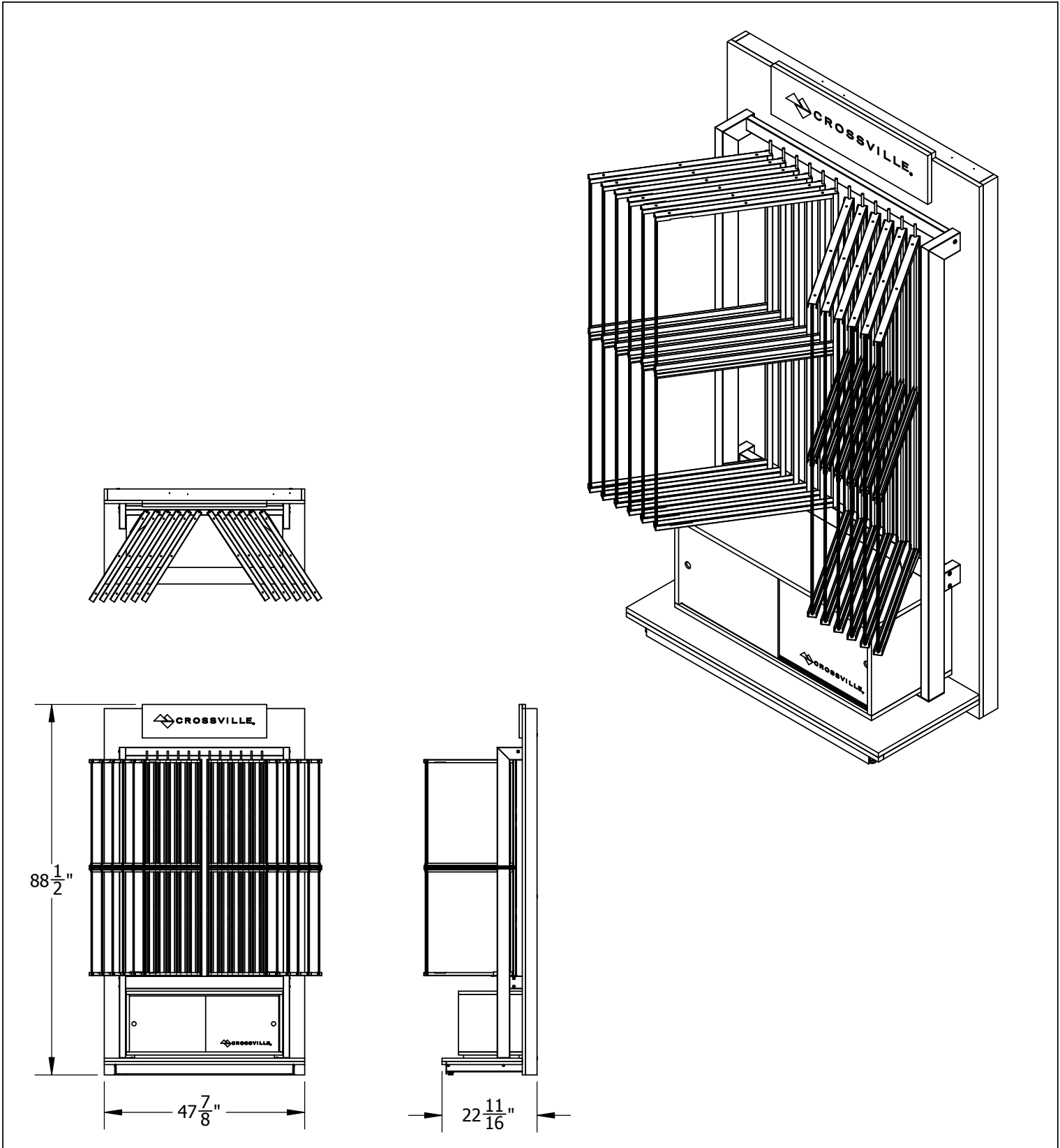


CROSSVILLE CERAMICS  
BOUTIQUE WING DISPLAY  
ASSEMBLY INSTRUCTIONS



??? QUESTIONS ??? Call us toll free at 1-888-249-2771



Display and Fixture Division  
www.brownind.com

# CROSSVILLE CERAMICS BOUTIQUE WING DISPLAY ASSEMBLY INSTRUCTIONS

2043

3/31/2015 VP



**\*\* A MINIMUM OF TWO ADULTS ARE REQUIRED FOR ASSEMBLY \*\***

## **BEFORE BEGINNING ASSEMBLY**

Read entire instruction sheet and safety instructions before you start assembly and installation. If you have any questions or do not completely understand the instructions and warnings please contact **Brown Industries Customer Care at 1-888-249-2771** before beginning assembly.

## **!!! WARNING !!!**

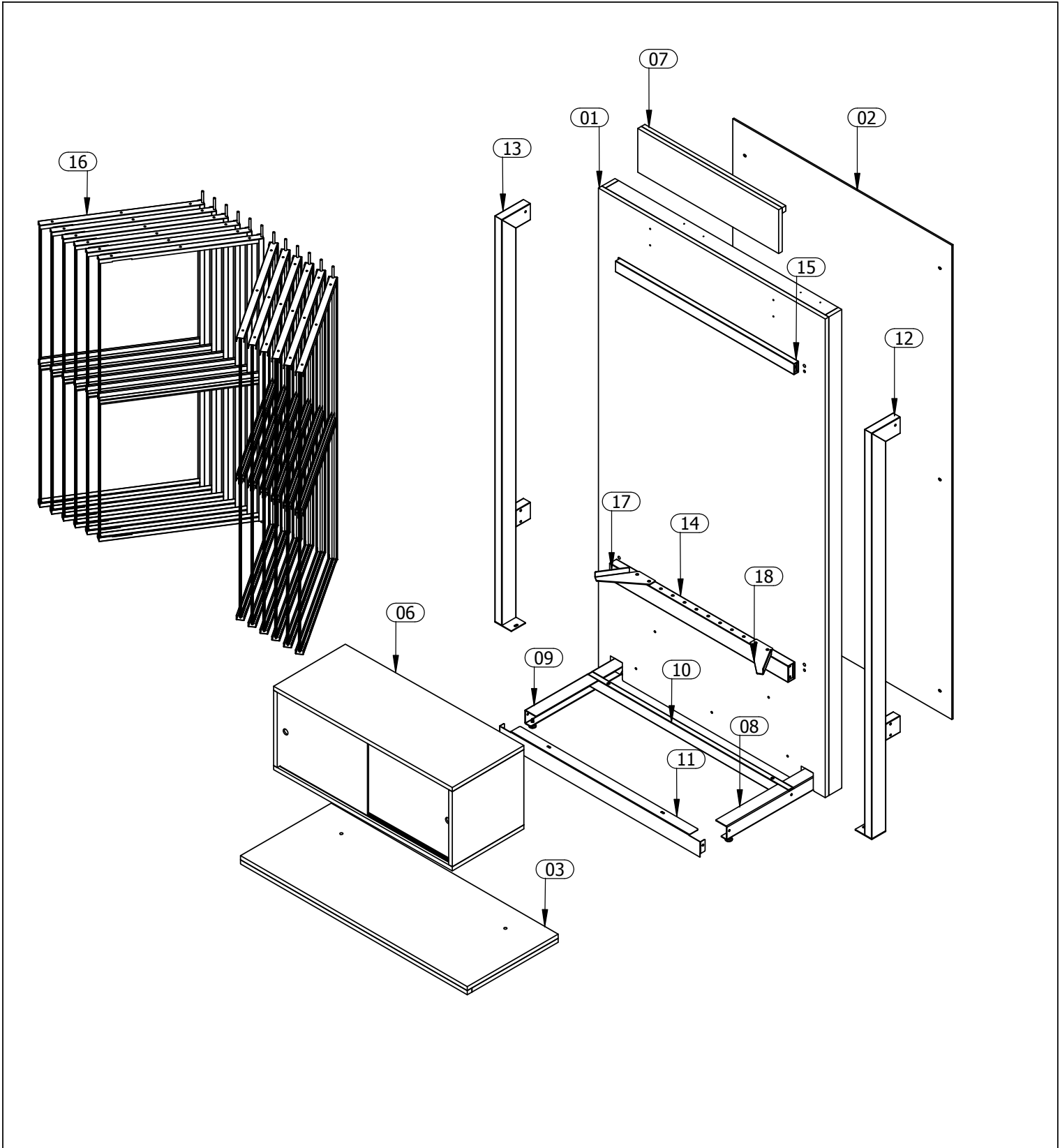
Failure to follow these assembly and safety instructions may result in serious bodily injury or property damage and will void the warranty. Brown Industry, Inc. is not liable or responsible for personal damage caused by failure to follow these instructions and warnings.

## **SAFETY INSTRUCTIONS**

- Two people are required to move, unpack and assemble this display
- Assembly should be performed by someone with good mechanical aptitude who completely understands the instruction sheet
- This display is intended for indoor use only
- Install display on a stable, level surface that will support the fully loaded display
- Assemble the display in the area it will occupy
- Never attempt to move the display after loading it with product
- Identify and inventory all parts using the Parts List provided in the instruction sheet. If any parts are missing, do not proceed. Instead call **Brown Industries Customer Care at 1-888-249-2771**.
- Tighten screws firmly. Do not over-tighten. Over-tightening screws can damage the display and compromise its strength. Do not allow persons to climb on, hang from or lean on the display or any part of the displayed components. Doing so could cause the display to tip over.
- This display is designed to hold only the products do not load, attach or store any other products on this display.
- After assembly is complete, double check all connections, screws and other display components to make sure they are secure and the display is stable.
- Regularly inspect the display to make sure all connections, screws and other display components remain tight, secure and safe.
- Retain this instruction sheet for future reference and in the event replacement parts are needed.

**??? QUESTIONS ??? Call us toll free at 1-888-249-2771**

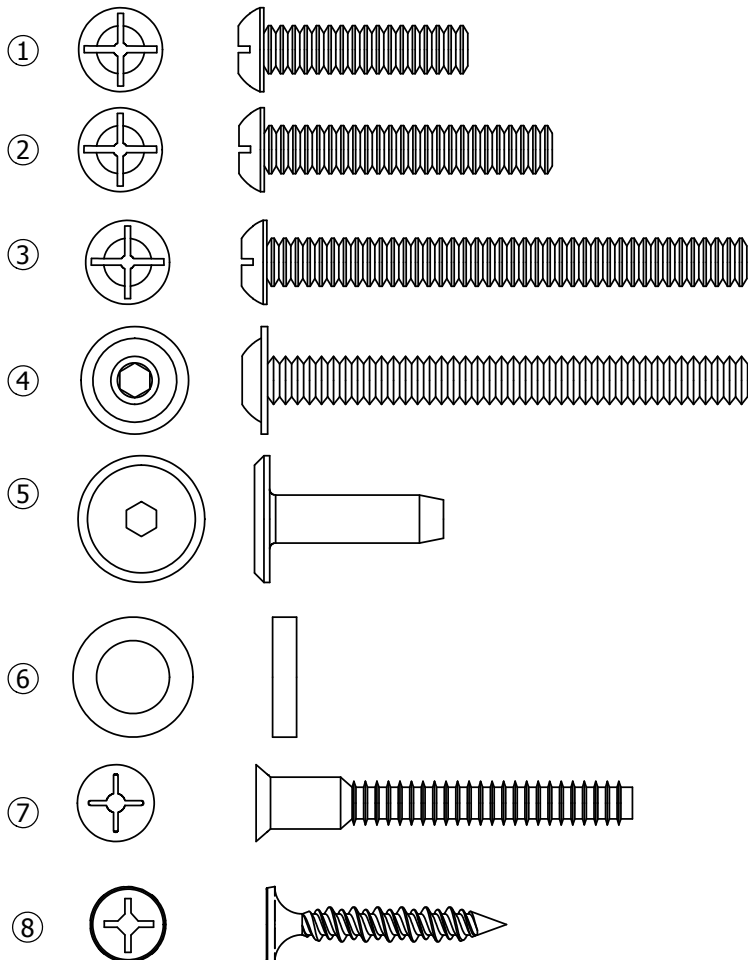
2 of 9



??? QUESTIONS ??? Call us toll free at 1-888-249-2771

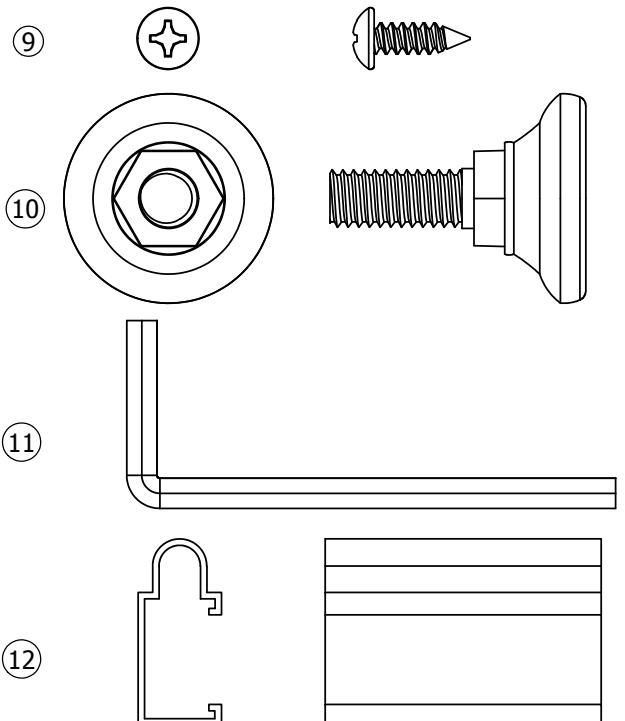


HARDWARE LIST				PARTS LIST				
ITEM	PACKAGE	DESCRIPTION	QTY.	PART NUMBER	DESCRIPTION	QTY	BOX	QC
1	A	1/4-20X 1 PAN HEAD BOLT	6	01	FRONT PANEL	1	D	
2	A	1/4-20X 1-1/2 PAN HEAD BOLT	6	02	BACK PANEL	1	D	
3	B	1/4-20X 2-1/2 PAN HEAD BOLT	4	03	BASE	1	D	
4	C	1/4-20X2-1/2 FLANGED BUTT HD BOLT	6	06	CABINET	1	B	
5	C	23MM 1/4-20 JC BOLT	6	07	HEADER	1	B	
6	C	3/8 ID PLASTIC WASHER	12	08	RIGHT LEG	1	C	
7	B	7X50mm JC SCREW	3	09	LEFT LEG	1	C	
8	C	8X1-1/4 PB SCREW	4	10	CROSSBAR	1	C	
9	B	8X9/16 PAN HEAD SCREW	2	11	KICK PANEL	1	C	
10	A	5/16-18X1 LEVELER	4	12	RIGHT DEC LEG	1	C	
11	C	M4 HEX KEY	2	13	LEFT DEC LEG	1	C	
12	D	BUMPER	24	14	BOTTOM PIVOT BAR	1	C	
				15	TOP PIVOT BAR	1	C	
				16	SWING ARM	12	A	
				17	LEFT WING STOP	1	C	
				18	RIGHT WING STOP	1	C	



HARDWARES & INSTRUCTIONS IN BOX:

QC CHECKED BY: \_\_\_\_\_

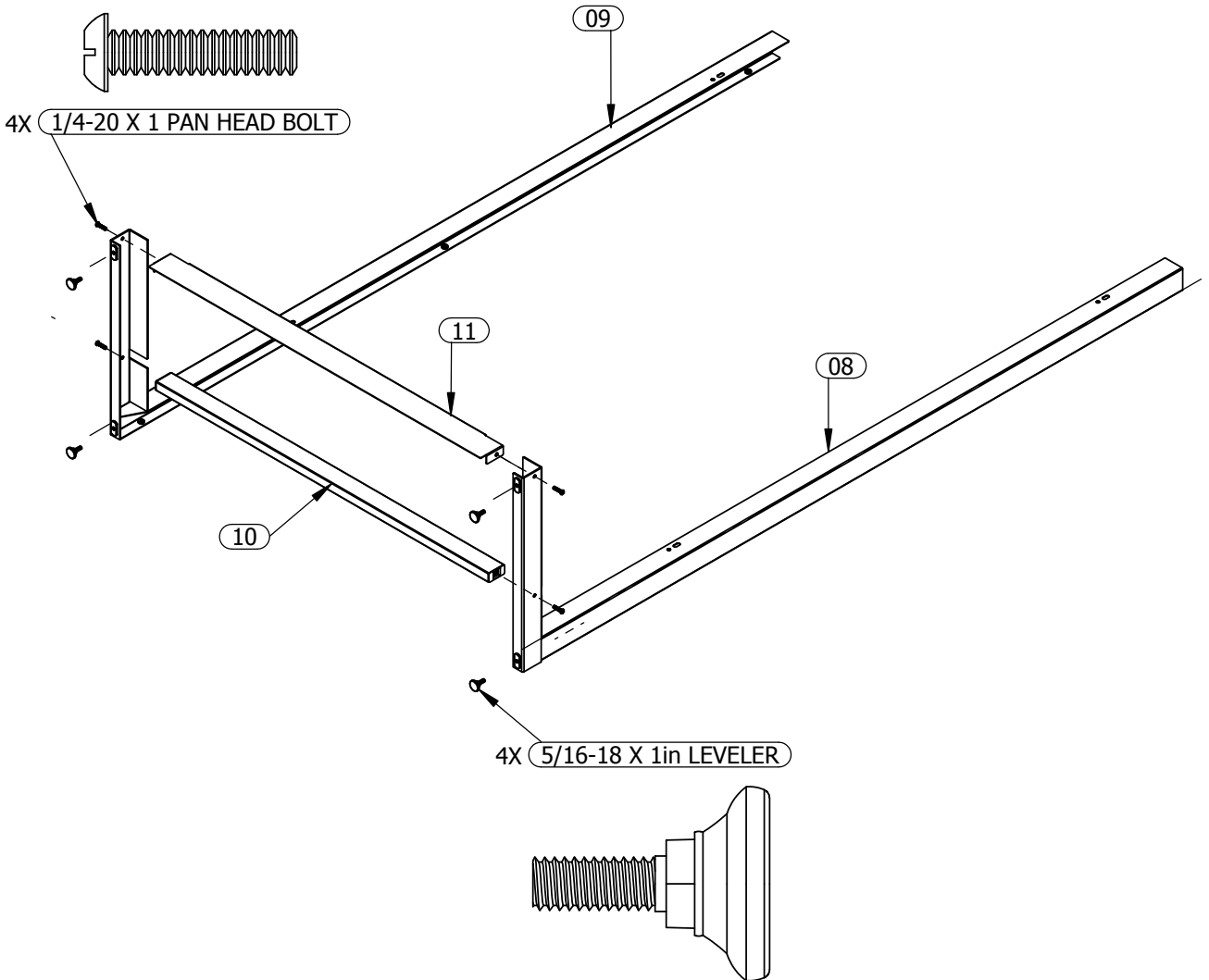


??? QUESTIONS ??? Call us toll free at 1-888-249-2771



STEP 1: Install 4 levelers in package A to part 08 and 09.

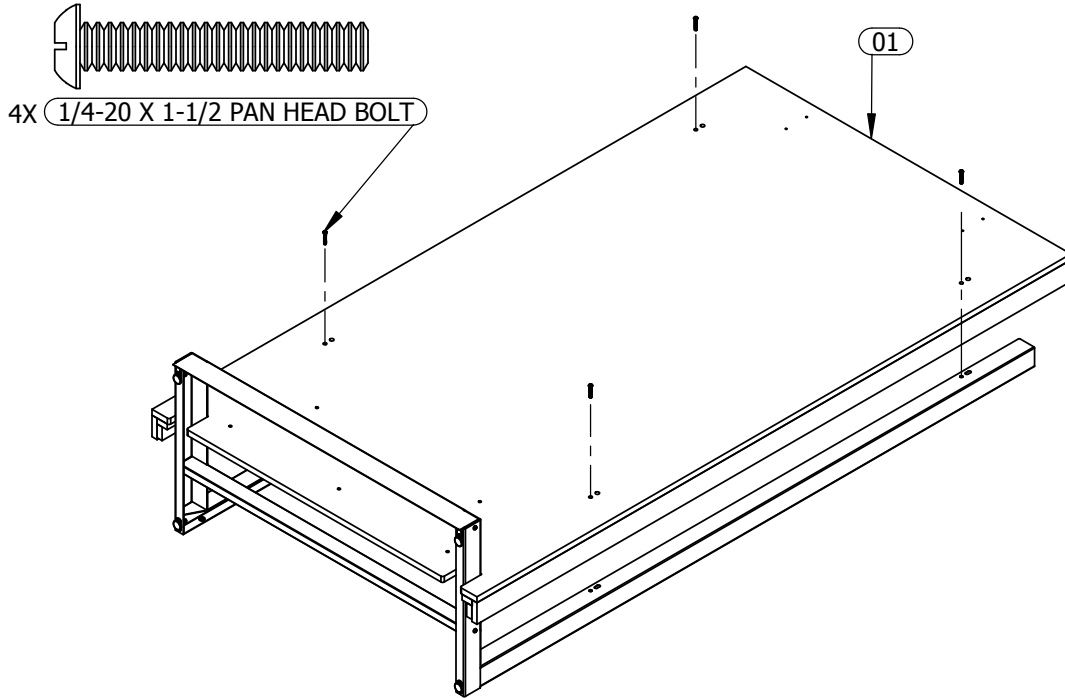
Fasten part 10 and 11 to part 08 and 09 using 1/4-20 X 1 bolts in package A.



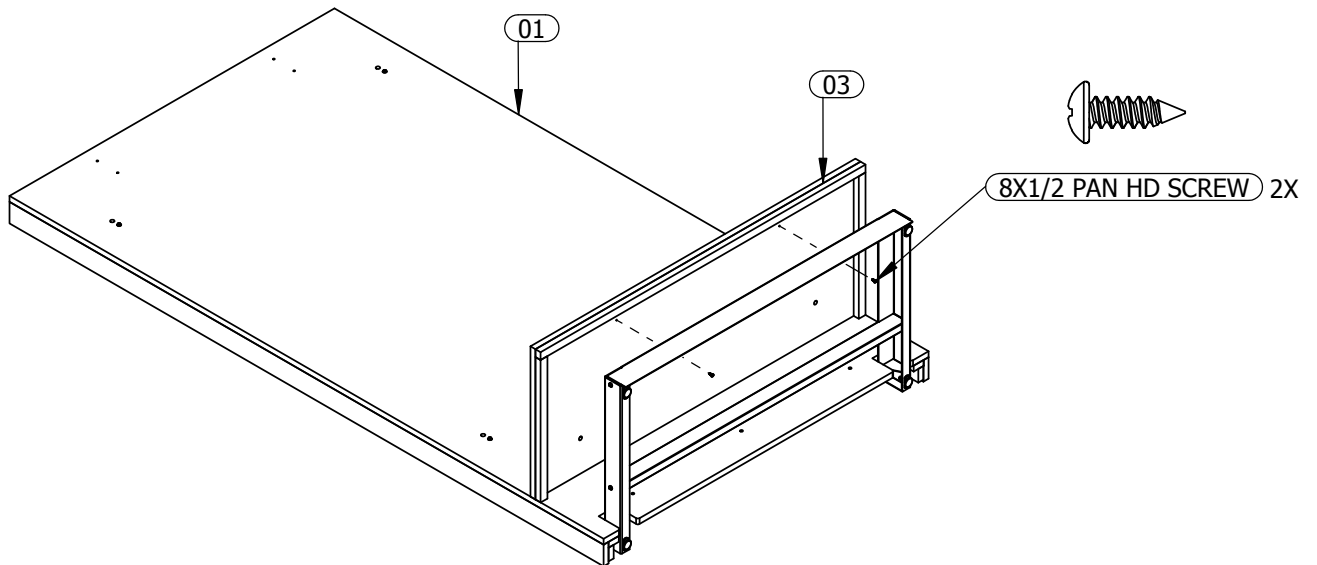
??? QUESTIONS ??? Call us toll free at 1-888-249-2771

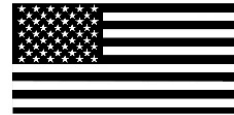


STEP 2: Place front panel part 01 on top step 1 as shown below and secure with 4 of 1/4-20 X 1-1/2 bolts in package A.



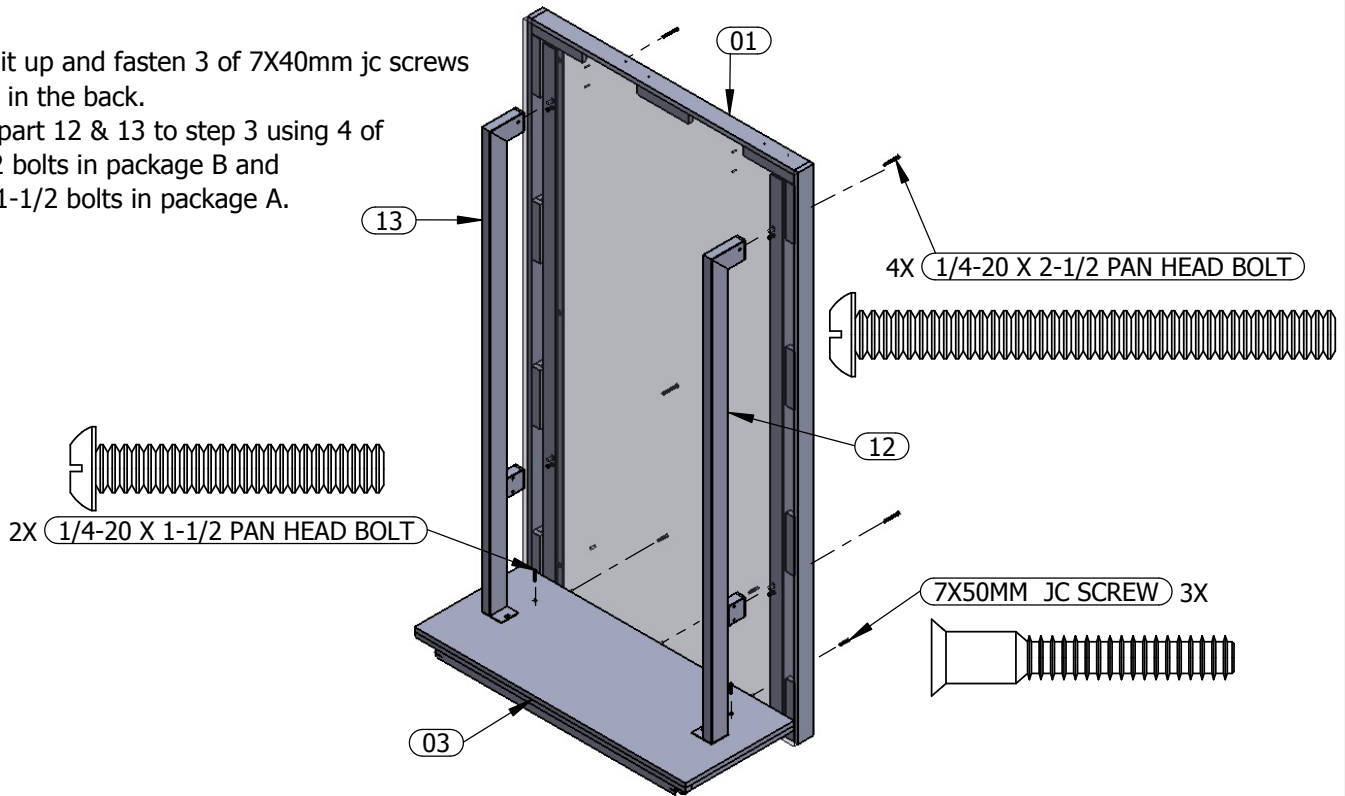
STEP 3: Slide part 03 down onto step 2 and secure them using 2 number 8 screws in package B.





**STEP 4:**

Stand the unit up and fasten 3 of 7X40mm jc screws in package B in the back.  
Then fasten part 12 & 13 to step 3 using 4 of 1/4-20x2-1/2 bolts in package B and 2 of 1/4-20x1-1/2 bolts in package A.

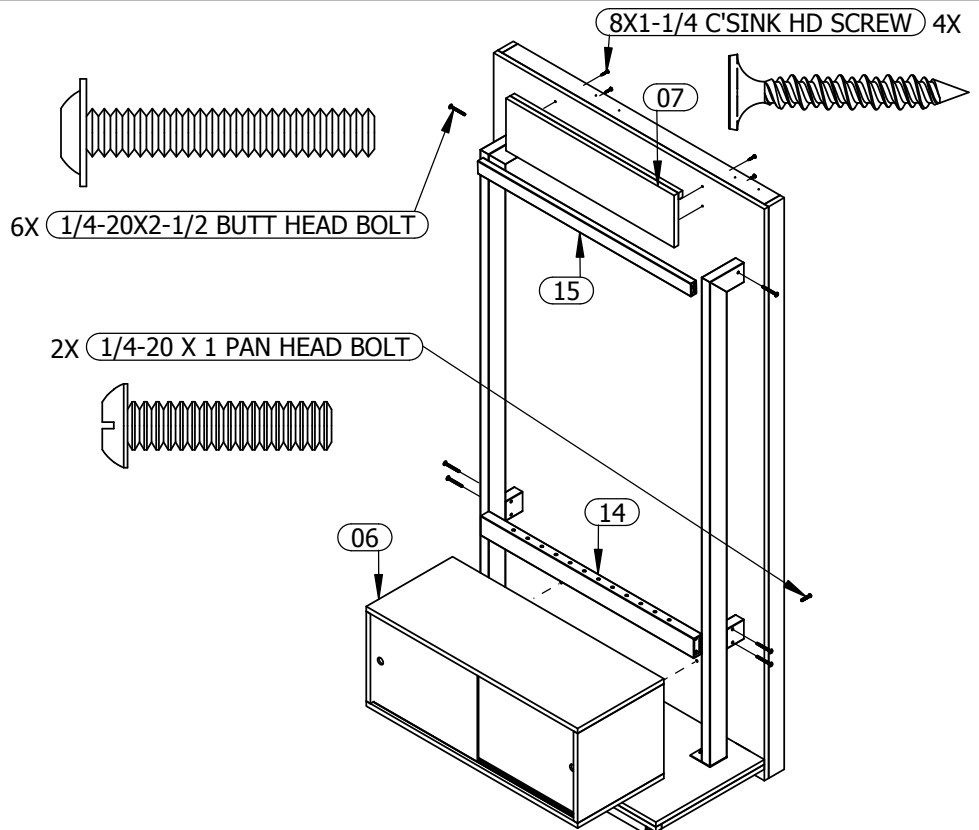


**STEP 5**

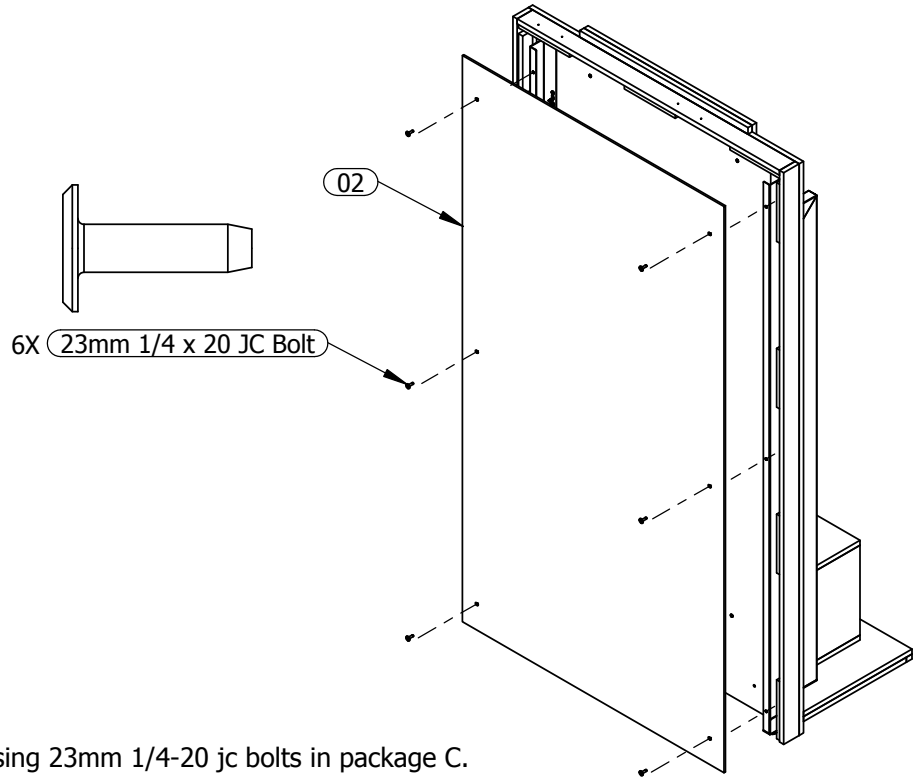
Fasten header to the unit using 4 number 8x1-1/4 long counter sink head screws in package C.

Fasten part 14 and 15 to the unit using six 1/4-20x1-1/2 long butt head bolts in package C.

Place cabinet part 06 on the unit and secure it using 2 of 1/4-20x1"bolts in package A.

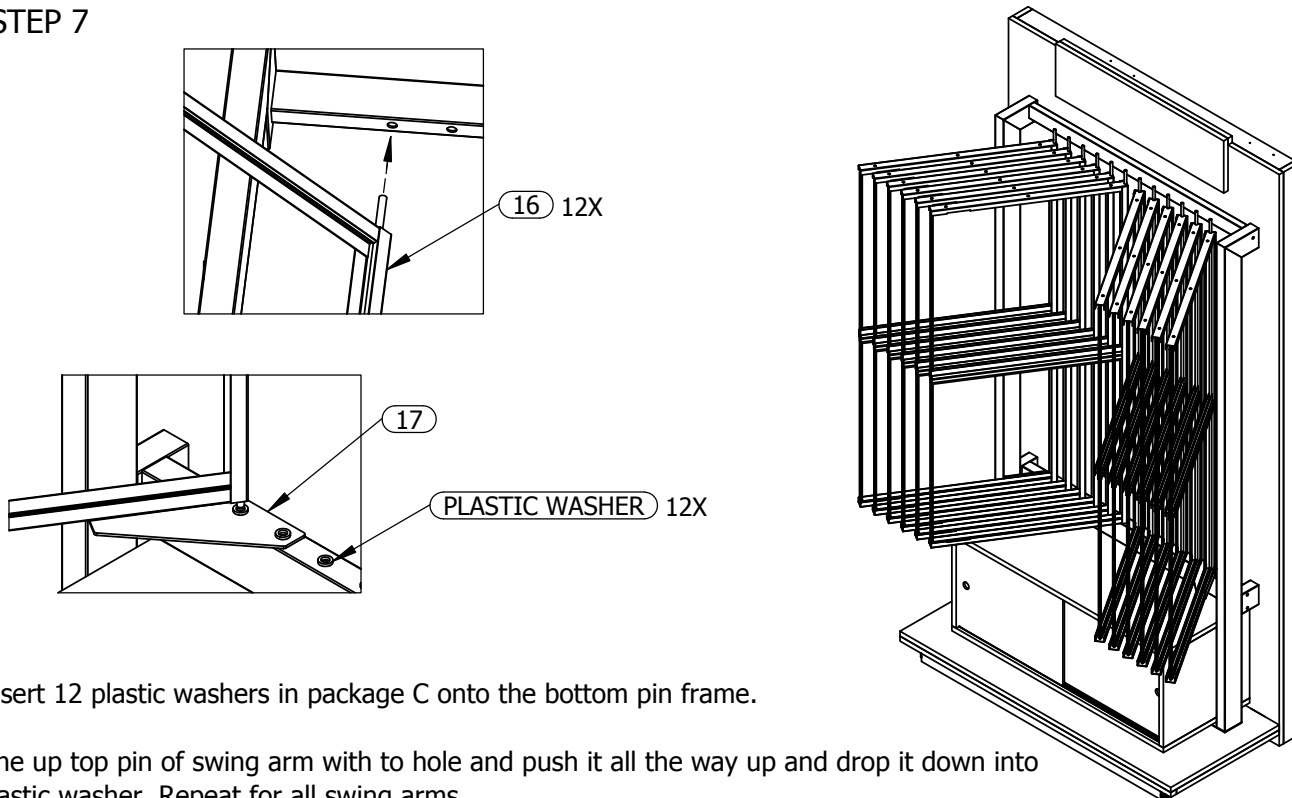


STEP 6



Fasten part 02 to the back of the unit using 23mm 1/4-20 jc bolts in package C.

STEP 7



Insert 12 plastic washers in package C onto the bottom pin frame.

Line up top pin of swing arm with to hole and push it all the way up and drop it down into plastic washer. Repeat for all swing arms.





STEP 8: Slide the bumper in package D onto the swing arms.

Slide the samples into the swing arm open. Assembly is complete.

