

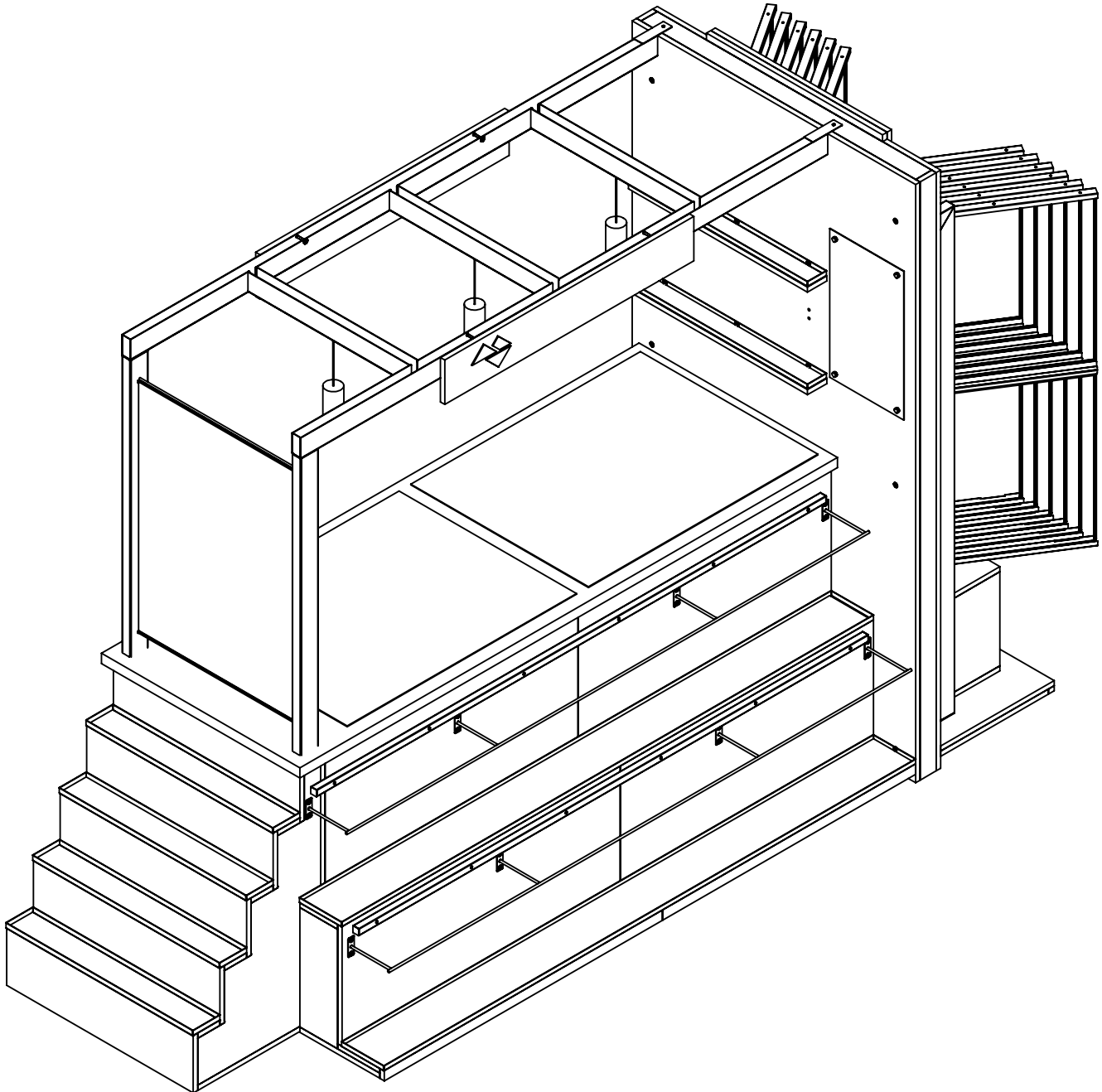


Display and Fixture Division
www.brownind.com

CROSSVILLE CERAMICS BOUTIQUE ISLAND-KIOSK MODULE ASSEMBLY INSTRUCTIONS

2185

6/30/2016 VS



HARDWARES & INSTRUCTIONS IN BOX:

QC CHECKED BY: _____

??? QUESTIONS ??? Call us toll free at 1-888-249-2771



CROSSVILLE CERAMICS

2185

6/30/2016 VS

BOUTIQUE ISLAND-KIOSK MODULE
ASSEMBLY INSTRUCTIONS

Display and Fixture Division
www.brownind.com



**** A MINIMUM OF TWO ADULTS ARE REQUIRED FOR ASSEMBLY ****

BEFORE BEGINNING ASSEMBLY

Read entire instruction sheet and safety instructions before you start assembly and installation. If you have any questions or do not completely understand the instructions and warnings please contact **Brown Industries Customer Care at 1-888-249-2771** before beginning assembly.

!!! WARNING !!!

Failure to follow these assembly and safety instructions may result in serious bodily injury or property damage and will void the warranty. Brown Industry, Inc. is not liable or responsible for personal damage caused by failure to follow these instructions and warnings.

SAFETY INSTRUCTIONS

- Two people are required to move, unpack and assemble this display
- Assembly should be performed by someone with good mechanical aptitude who completely understands the instruction sheet
- This display is intended for indoor use only
- Install display on a stable, level surface that will support the fully loaded display
- Assemble the display in the area it will occupy
- Never attempt to move the display after loading it with product
- Identify and inventory all parts using the Parts List provided in the instruction sheet. If any parts are missing, do not proceed. Instead call **Brown Industries Customer Care at 1-888-249-2771**.
- Tighten screws firmly. Do not over-tighten. Over-tightening screws can damage the display and compromise its strength. Do not allow persons to climb on, hang from or lean on the display or any part of the displayed components. Doing so could cause the display to tip over.
- This display is designed to hold only the products do not load, attach or store any other products on this display.
- After assembly is complete, double check all connections, screws and other display components to make sure they are secure and the display is stable.
- Regularly inspect the display to make sure all connections, screws and other display components remain tight, secure and safe.
- Retain this instruction sheet for future reference and in the event replacement parts are needed.

??? QUESTIONS ??? Call us toll free at 1-888-249-2771



BOUTIQUE ISLAND-KIOSK MODULE
ASSEMBLY INSTRUCTIONS



CARTON #1 - Small Wooden Components

- Header - (2)
- Tray Assembly- (2)
- Jewelry Endcap Front Kick - (1)
- Jewelry Endcap Side Kick - (2)
- Envision Left Front Kick - (1)
- Envision Right Front Kick - (1)
- Backwall Shelf Rubber Mat - (2)
- Envision Left Side Kick - (1)

CARTON #2 - Misc. Metal Components

- Envision Panel Tray - (2)
- Upright Support - (2)
- Envision Spacer Bar - (2)
- Table Top Sleeve - (2)
- Envision Safety Bar - (2)
- Attachment Angle - (1)
- Envision Panel Tray Rubber Mat - (2)
- Jewelry Tray Rubber Mat - (4)

CARTON #3 - Misc. Plastic Components

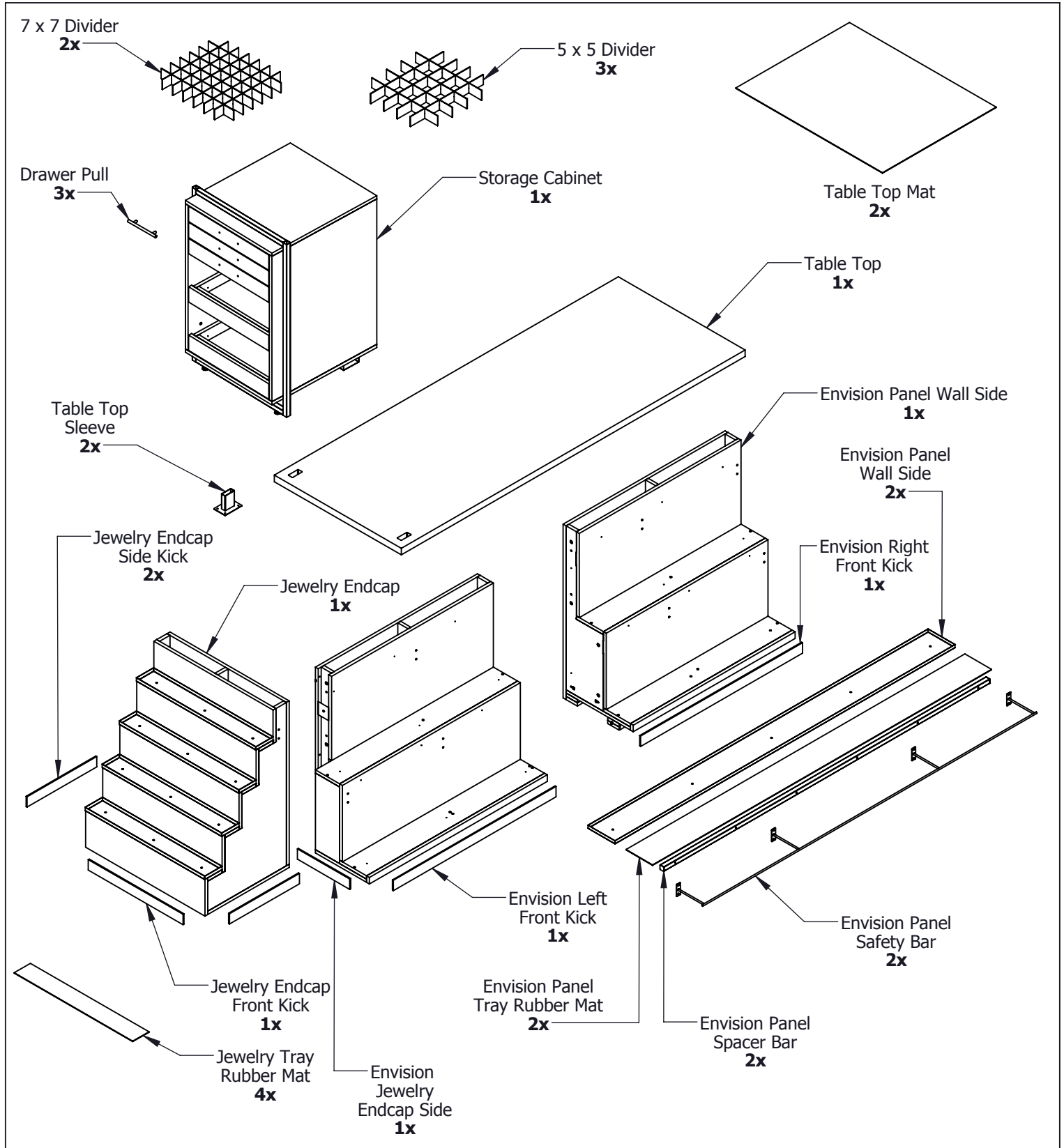
- Tile Graphic Panel - (1)
- Backwall Graphic Panel - (1)
- 2x2 Tile Divider - (2) (Packed disassembled, 10 pcs per one)
- 3x3 Tile Divider - (1) (Packed disassembled, 8 pcs per one)

CARTON #4 - Electrical Components & Hardware

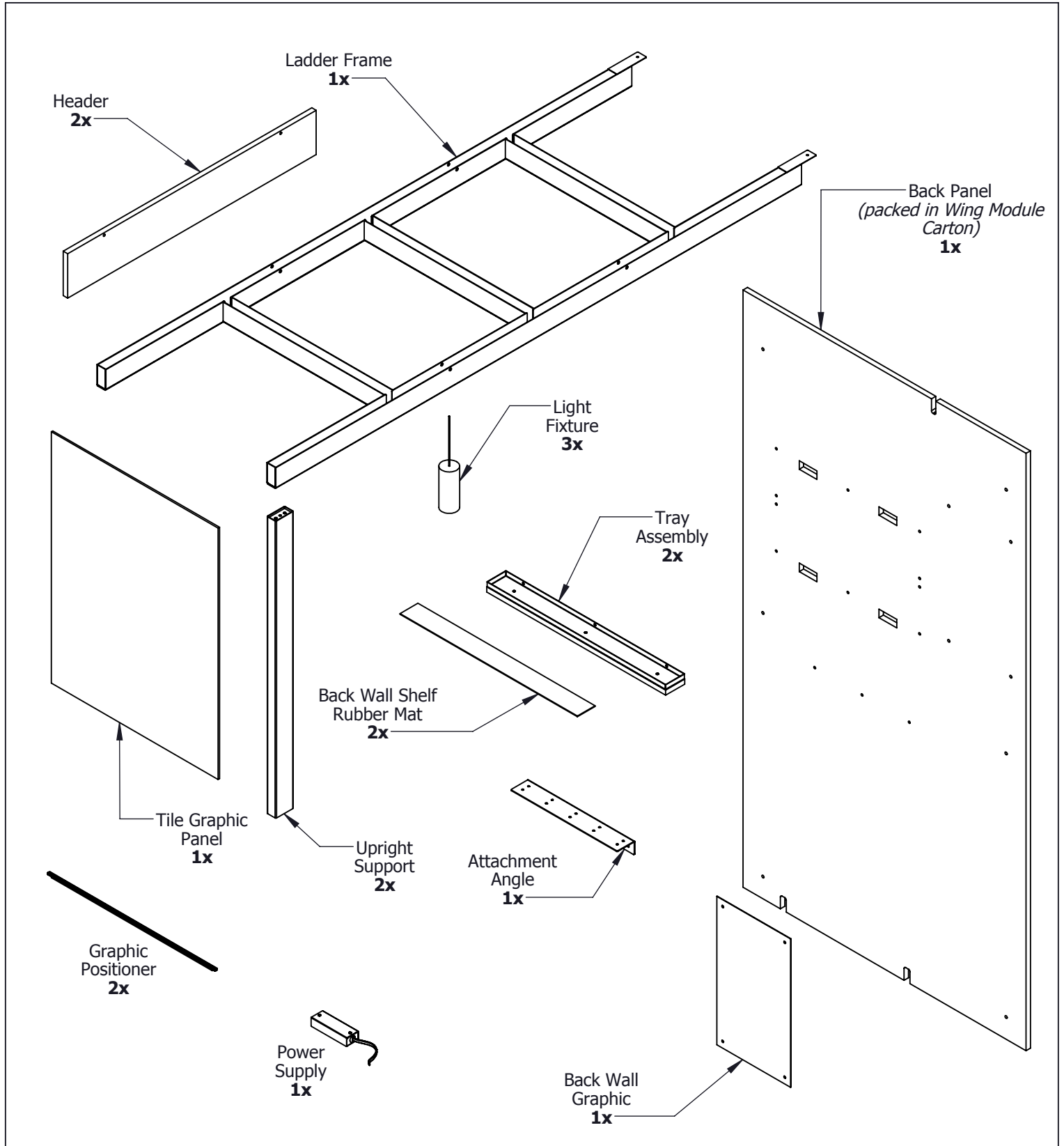
- Light Fixture - (3)
- Wire Harness w/ Power Supply - (1)
- Hardware Kit - (1)
- Drawer Pull - (3) (Packed in Hardware Bag)
- Assembly Instruction - (1)
- Lightbulbs - (3)

Packed separately on the skid

- Table Top Mat - (2)
 - Velcro Hook - (1)
 - Velcro Loop - (1)
 - Table Top - (1)
 - Storage Cabinet - (1)
 - Jewelry End Cap - (1)
 - Envision Side Panel - (2)
 - Ladder Frame - (1)
- IN CARTON ON SKID



??? QUESTIONS ??? Call us toll free at 1-888-249-2771



??? QUESTIONS ??? Call us toll free at 1-888-249-2771

HARDWARE LIST



1/4-20 x 3"
 Threaded Stud
4x



5/16-18 x 1-1/2"
 Threaded Stud
4x



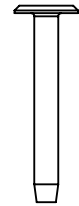
1/4-20
 Wingnut
8x



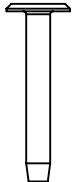
5/8" x 5/16" x 3/8"h
 Brushed Aluminum
 Spacer
4x



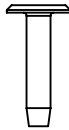
#10 x 1"
 PH Screw -
 Zinc
18



50mm
 Deco Screw -
 Zinc
4x



45mm
 Deco Screw -
 White
6x



30mm
 Deco Screw -
 Zinc
23x



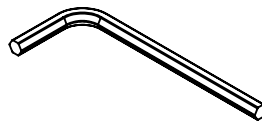
5/8"
 Brushed
 Aluminum Puck
4x



#8 x 5/8"
 PH
 Screw
10x



#10 x 1.5"
 Flat HD Screw -
 White
12x

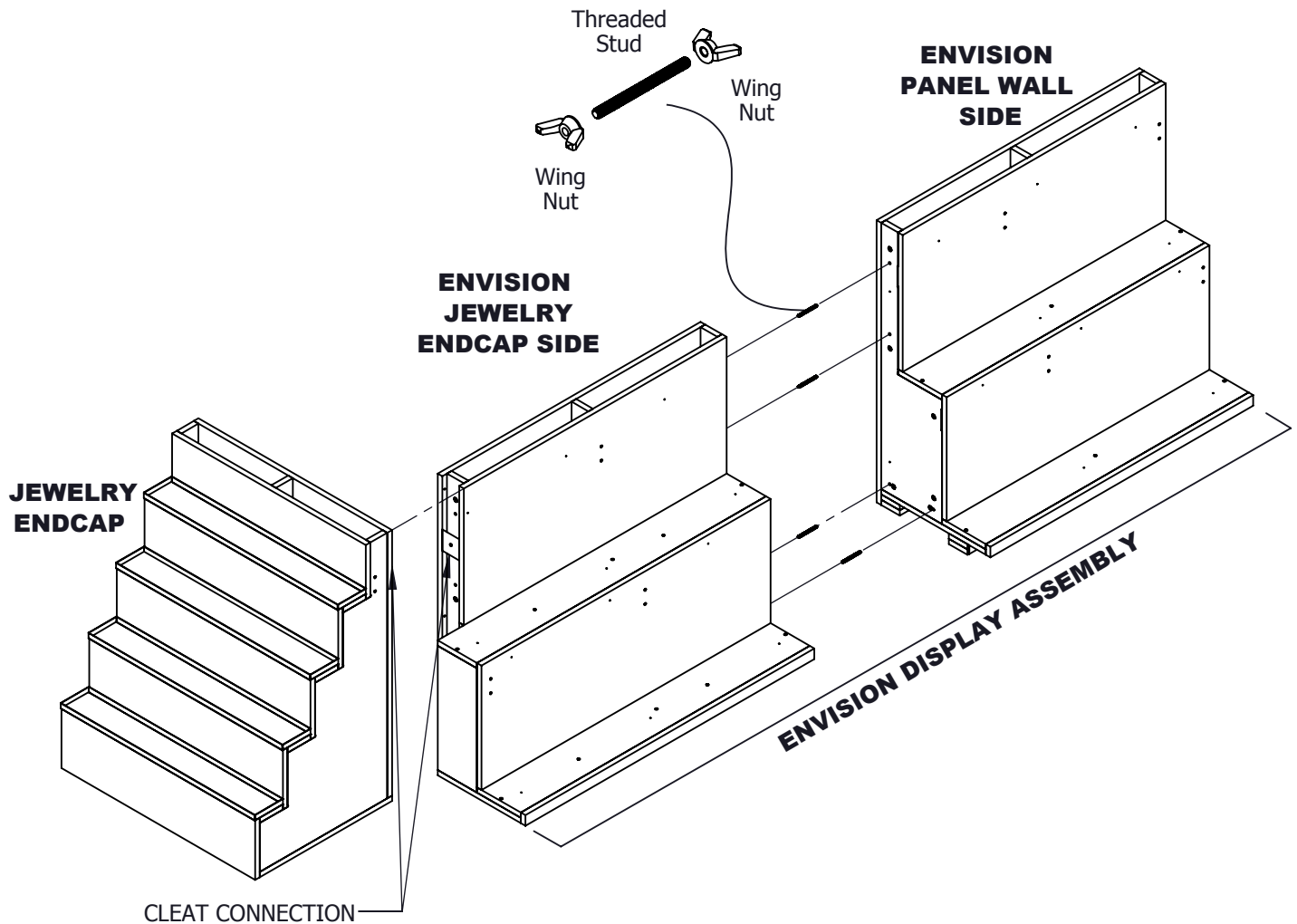


4mm
 Hex Key
1x



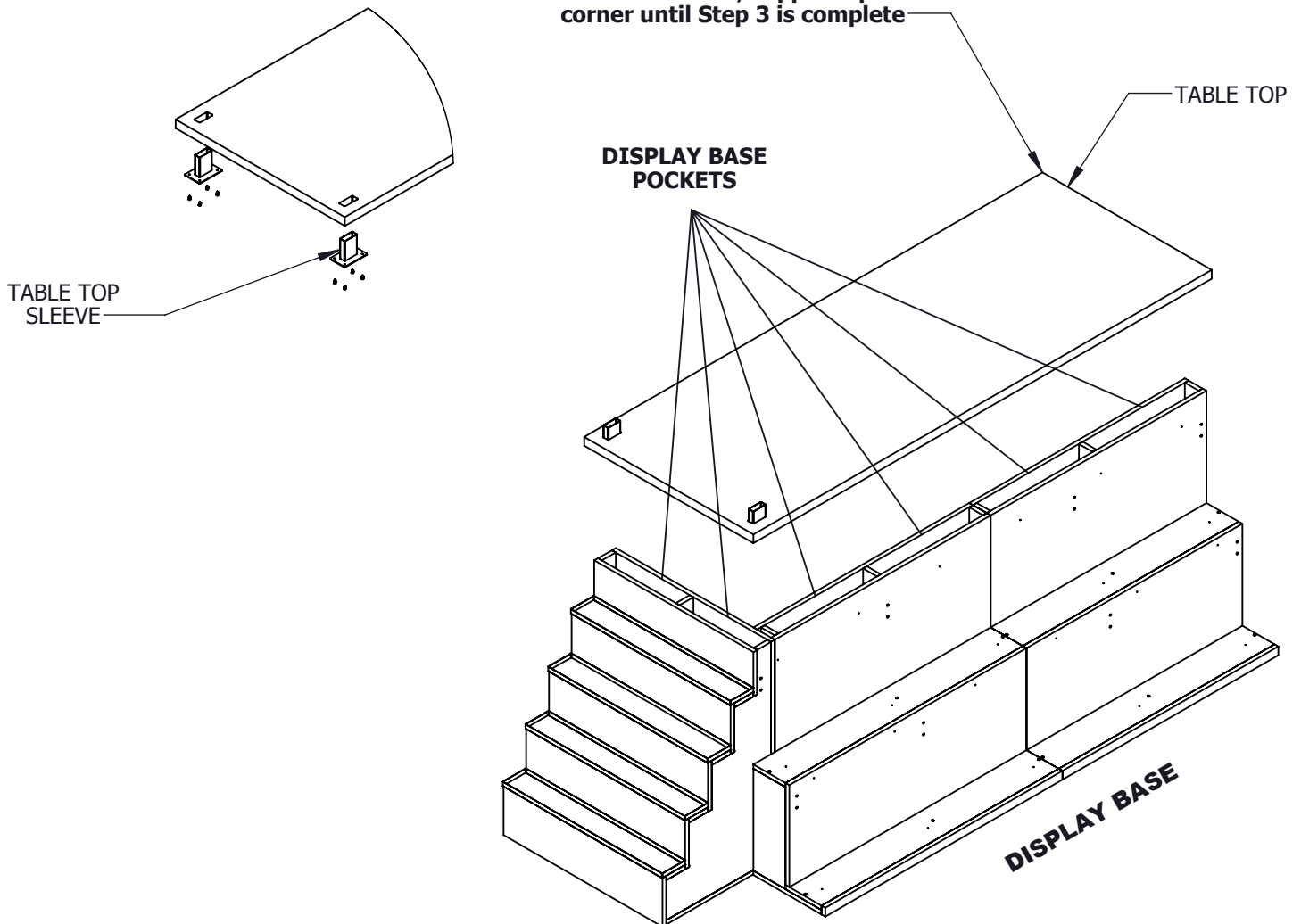
1. Connect both of the Envision Display sides using 3" threaded studs and wing nuts, then level
2. Connect the Jewelry Endcap to the Envision Display Assembly using the Cleat Connection, then level

NOTE: Adjust the levelers as needed to ensure a level base



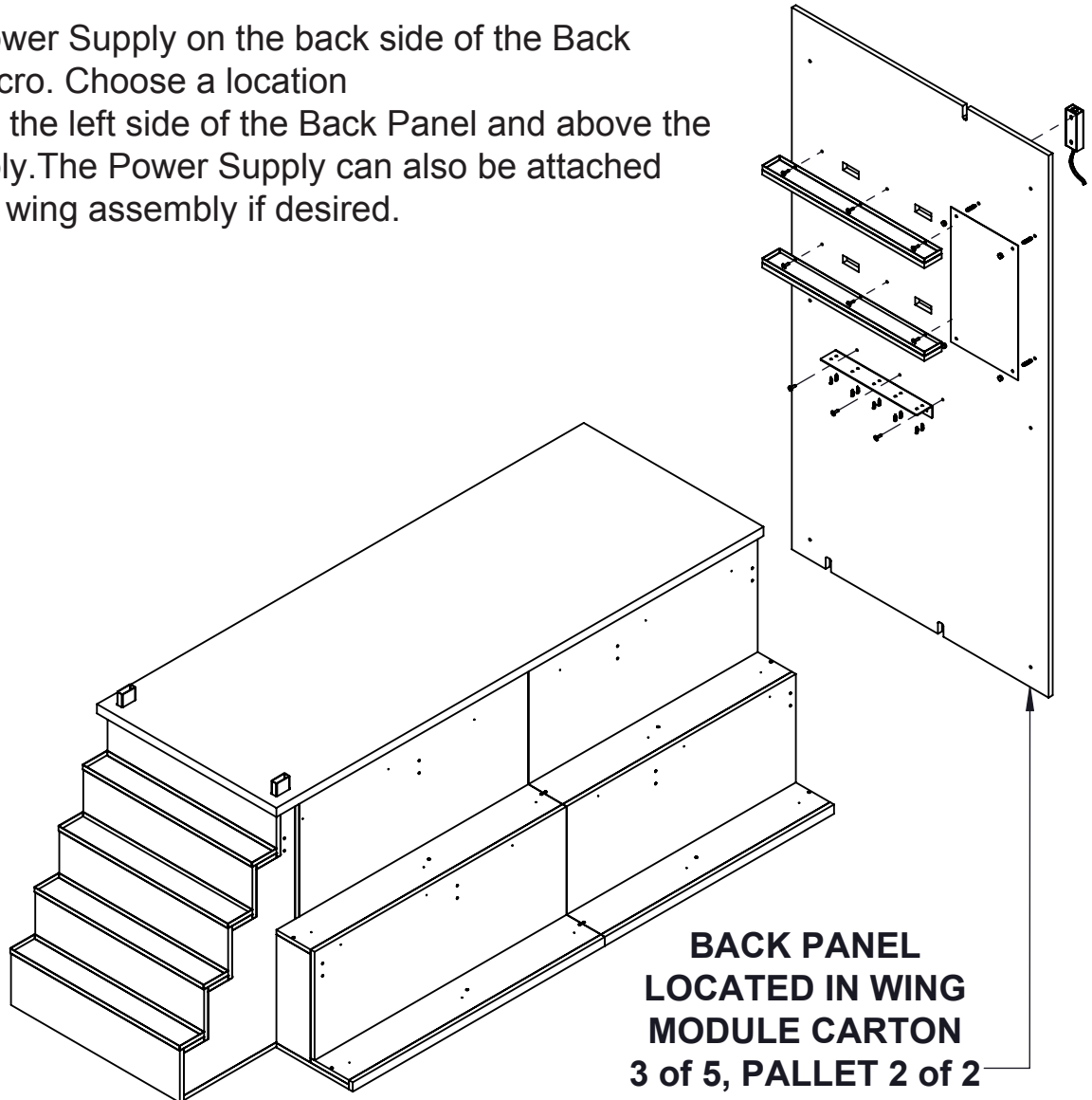
1. Attach the Table Top Sleeves to the underside of the Table Top using the #10 x 1" screws
2. Place the Table Top onto the Display Base
3. Place locator blocks mounted under the Table Top into pockets in the Display Base for proper alignment of the Table Top to the Display Base

Note: If needed, support open corner until Step 3 is complete



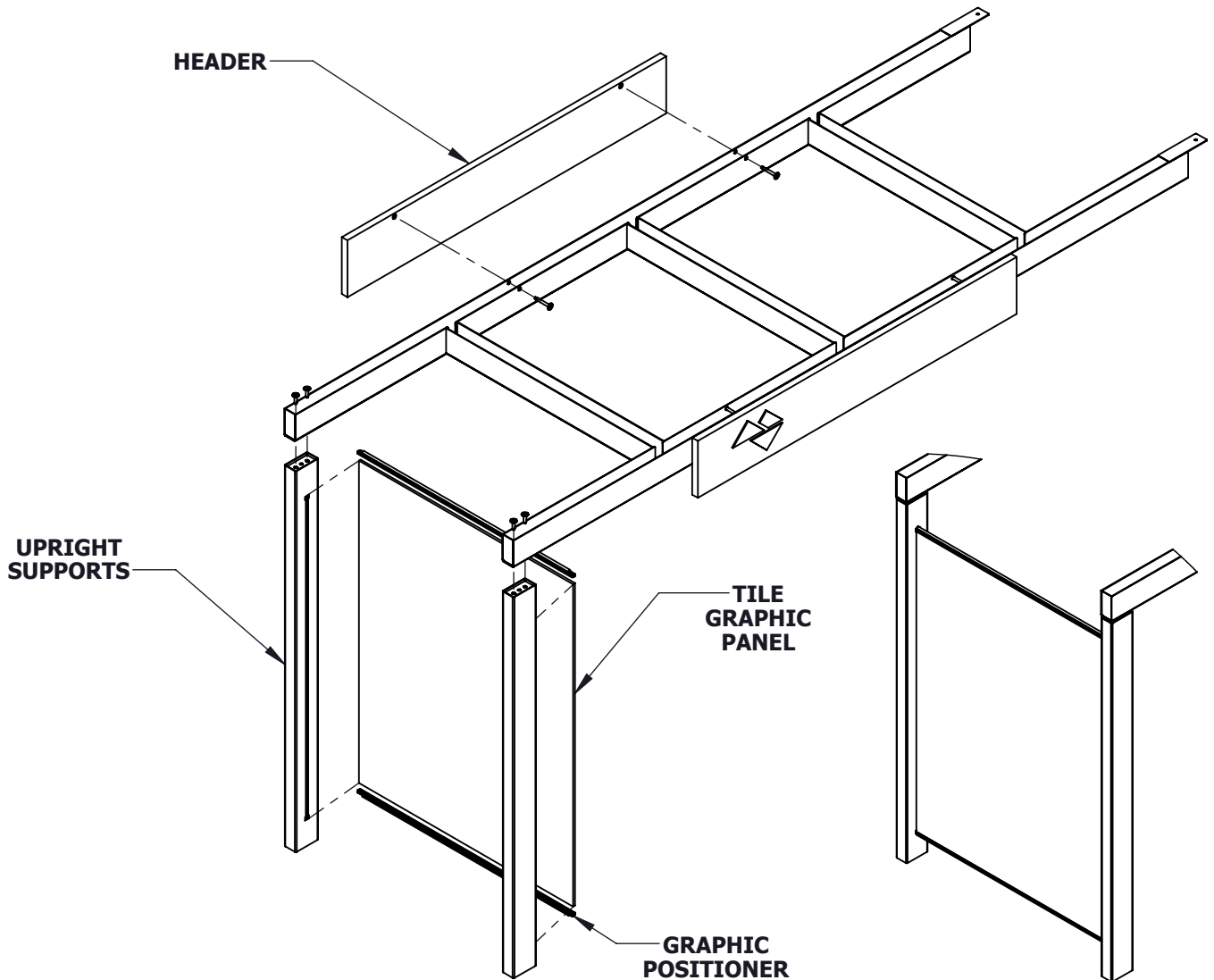


1. Attach the Attachment Angle and Tray Assemblies to the Back Panel with 30mm Zinc Deco Screw
2. Attach the Back Panel to the Display Base, securing the Attachment Angle to the underside of the Table Top with the #10 x 1" Screws
4. Attach the Back Wall Graphic using 4 aluminum spacers, 5/8" puck nuts, and 5/16" threaded studs.
5. Attach the Power Supply on the back side of the Back Panel using Velcro. Choose a location 15 in away from the left side of the Back Panel and above the top tray assembly. The Power Supply can also be attached to the top of the wing assembly if desired.



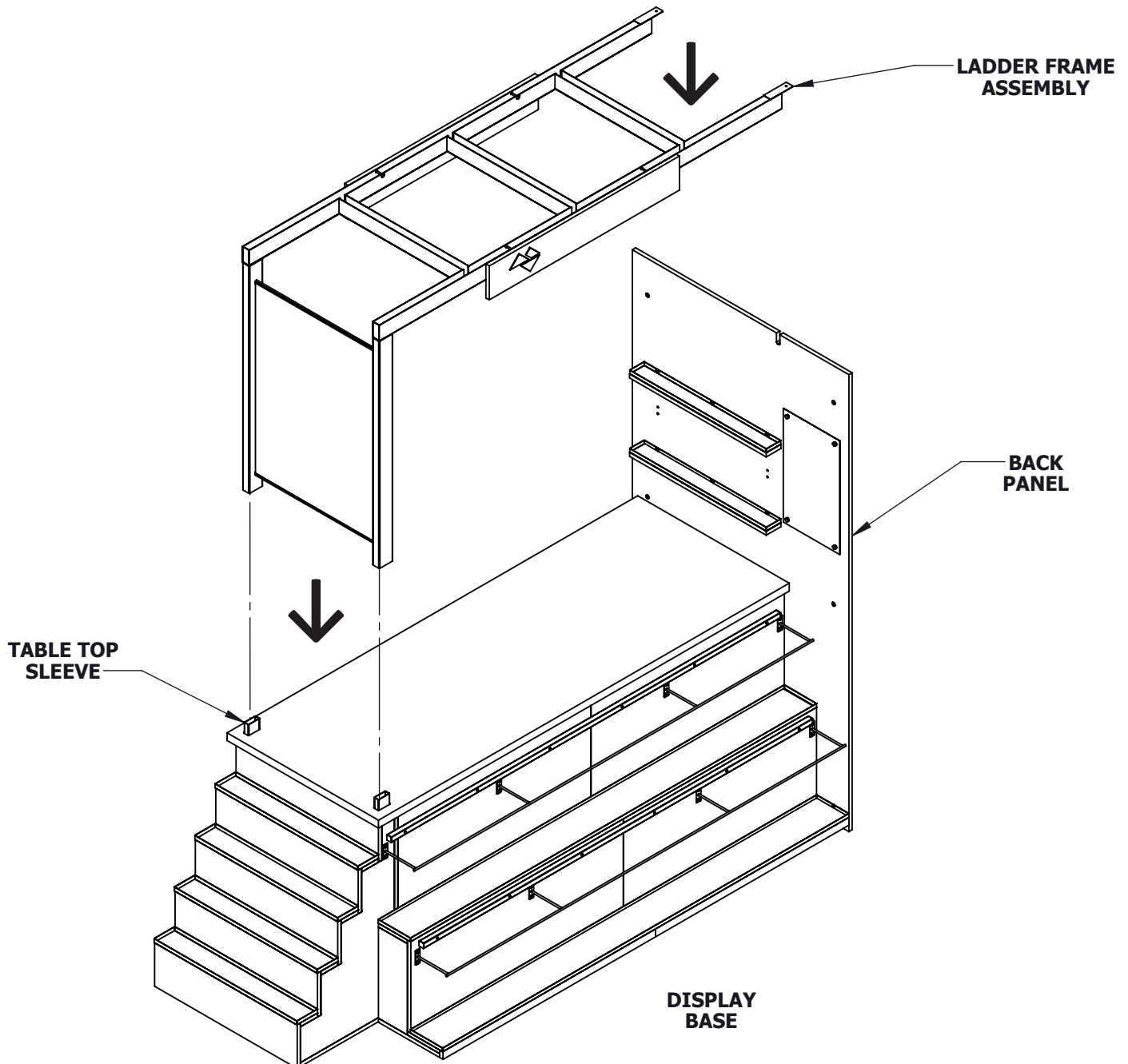


1. Attach the Upright Supports to the Top Ladder Frame Loosely using 30 mm Deco Screws
2. Place the Tile Graphic Panel and the Graphic Positioners into the slots of the Uprights, then tighten the Uprights to the Ladder Frame
3. Attach the Headers to the Ladder Frame using 50mm Deco Screws



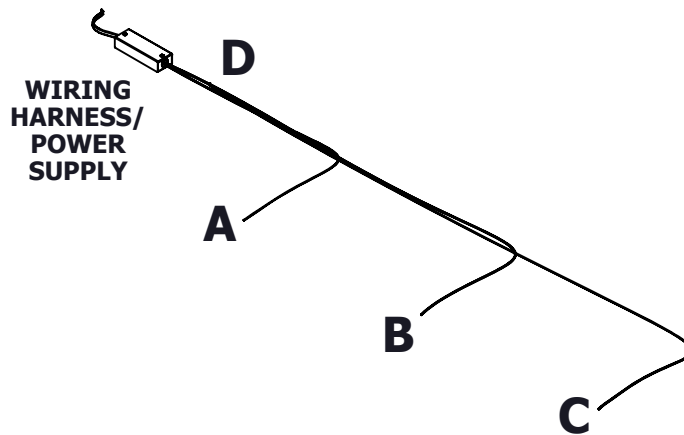
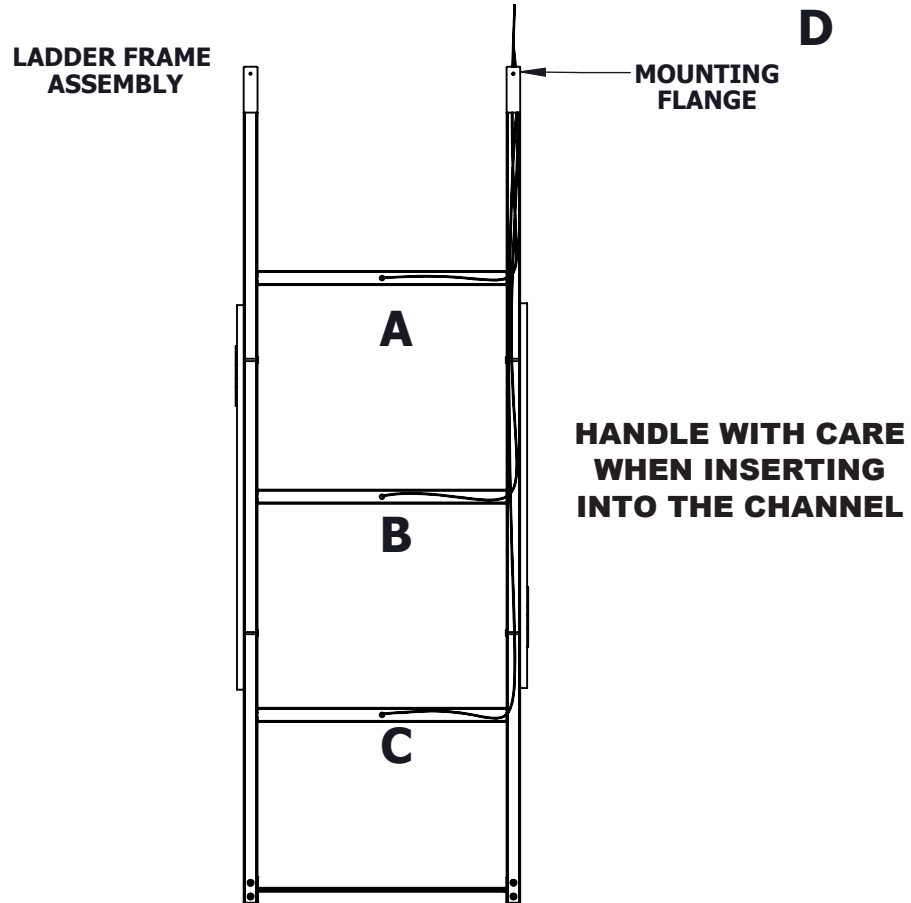
??? QUESTIONS ??? Call us toll free at 1-888-249-2771

1. Place the Ladder Frame Assembly onto the Display Base (Table Top Sleeves) and the top of the Back Panel
2. Tighten the 4 Deco Screws from the previous step

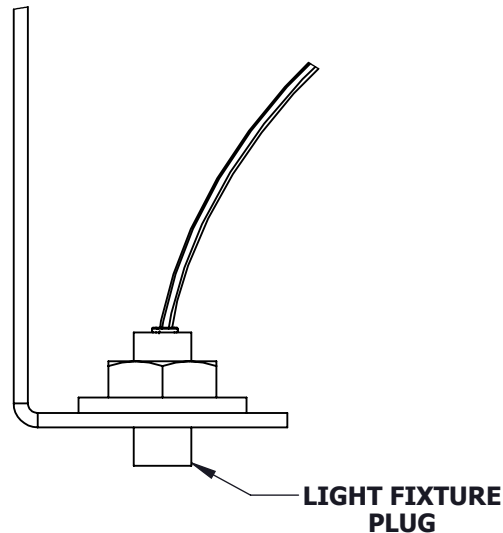
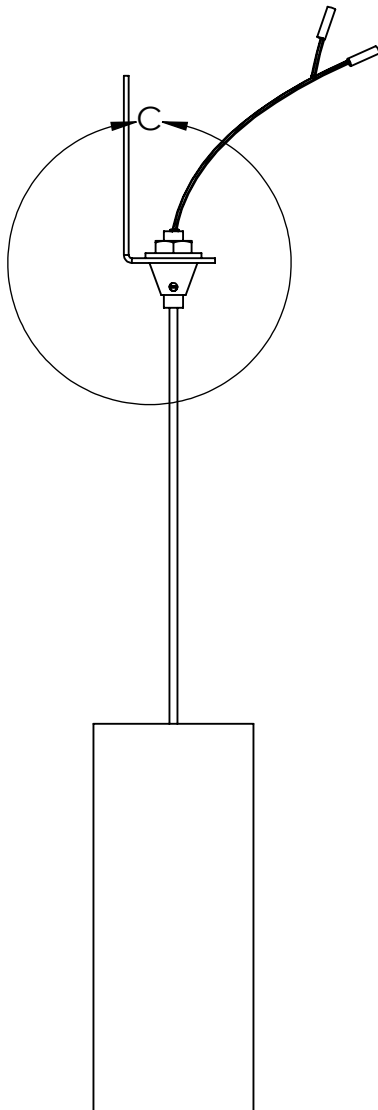




1. Feed the Wiring Harness through the slot into the top of the Ladder Frame Assembly with wire leads placed in channels as shown



1. Set the correct height of the Light Fixture by modifying the Power Wire.
2. Connect the Light Fixture to the Light Fixture Plug, securing it to the Ladder Frame Assembly
3. Attach the power leads from the Light Fixture Plug to the Wiring Harness using the provided pigtail connectors.

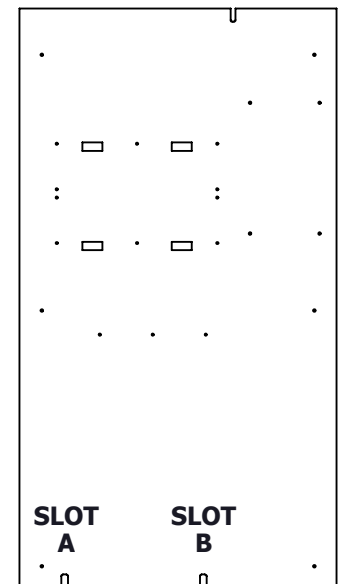
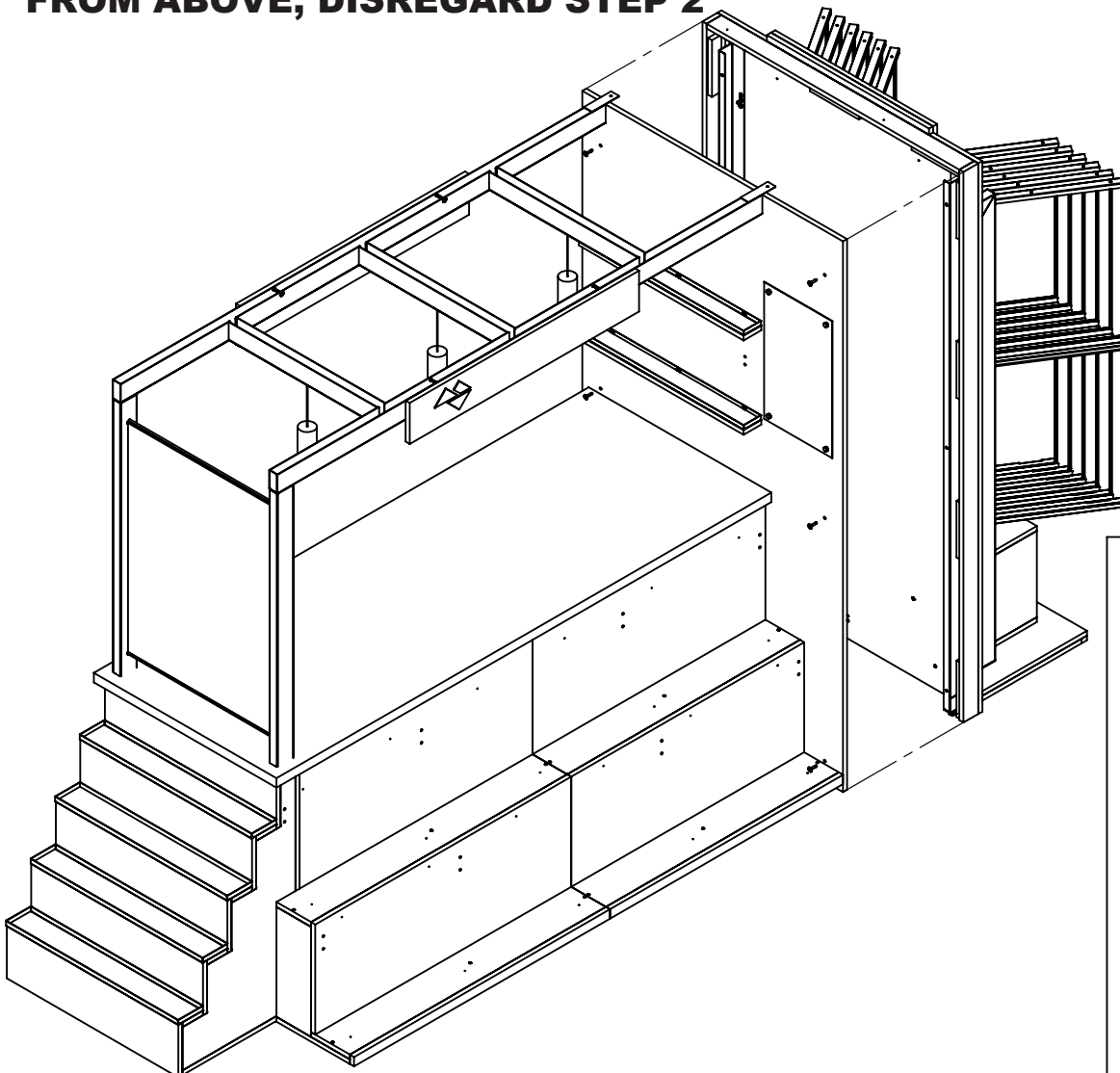


NOTE:
Bi-Pin Halogen Lamp 12V
Socket Type GY6.35
10W
44 mm (1.73") High
12 mm (.472") diameter

**Bulbs can be found at
national DIY stores**

1. Assemble the Wing Module (instructions in Wing Module Carton) Position the Wing Module close to the Back Panel
2. Feed the power cord through either Slot A or Slot B, whichever slot is closest to the power coming into the unit
3. Push the Wing Module against the Back Panel, then secure together using 45mm White Deco Screws (6)

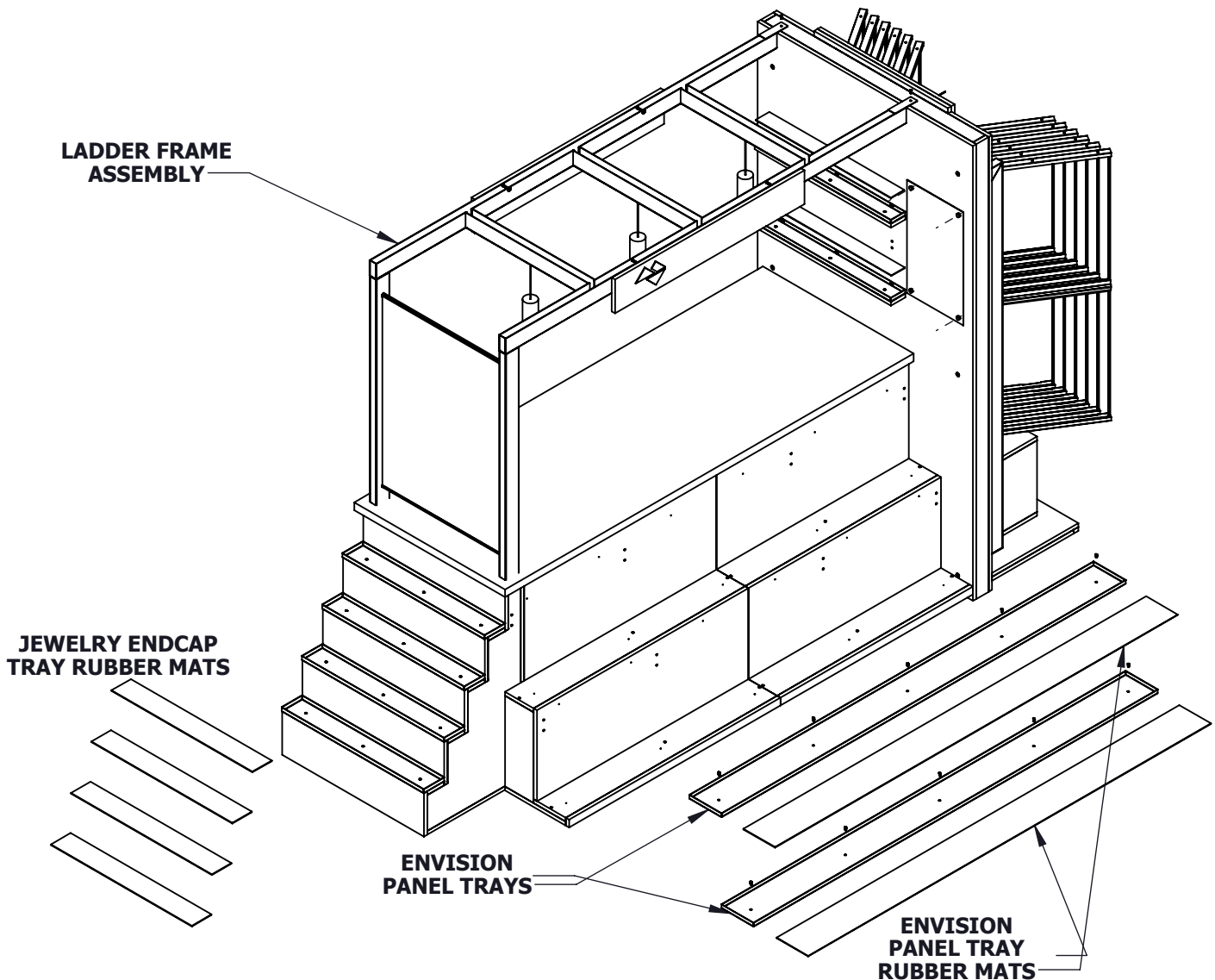
NOTE: IF THE POWER IS COMING FROM ABOVE, DISREGARD STEP 2



??? QUESTIONS ??? Call us toll free at 1-888-249-2771

14 of 17

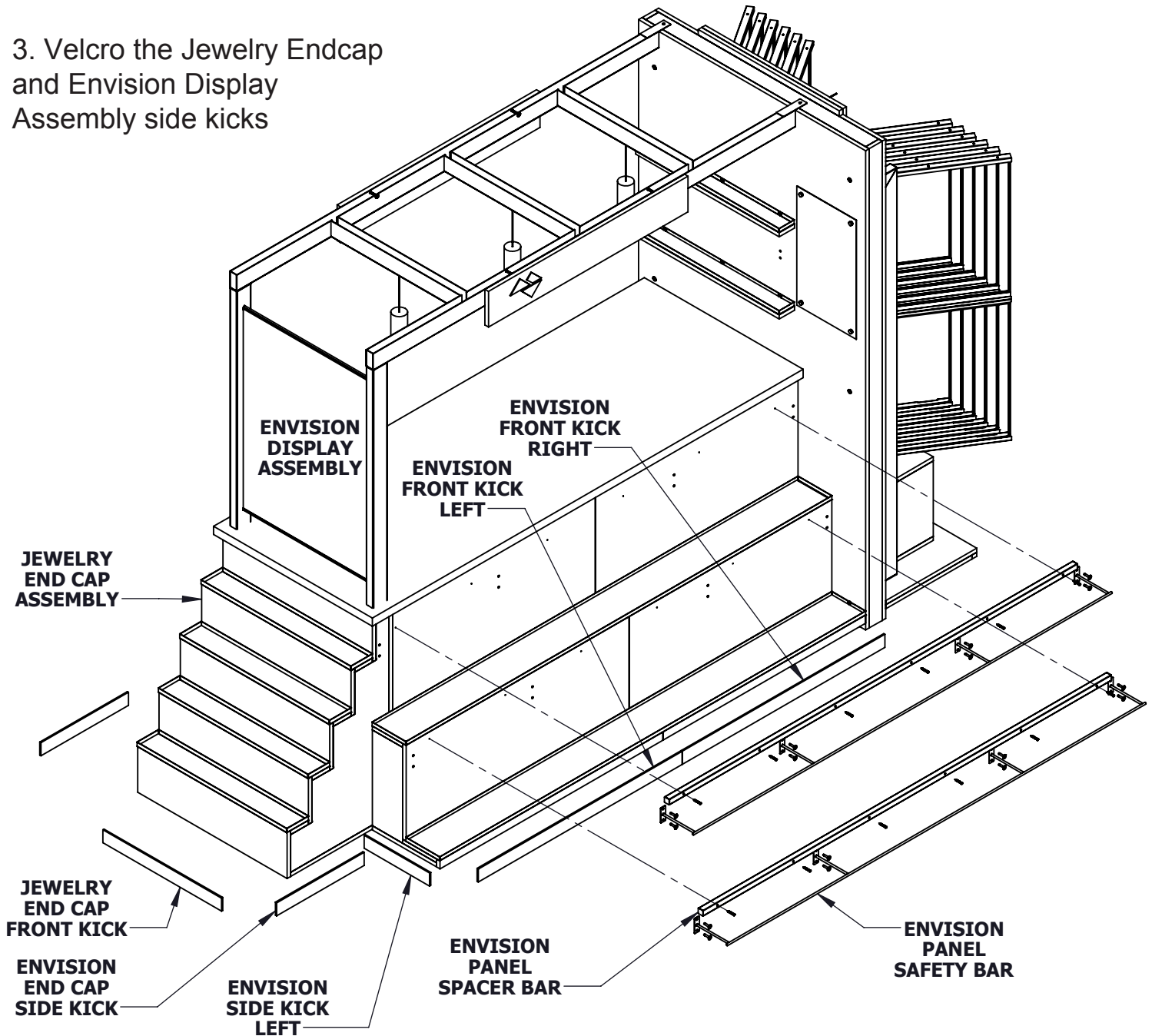
1. Once the Wing Module is in place, square up the frame then use the mounting flange holes as guides to drill pilot holes into the top of the Wing Module wood cap
2. Attach the Envision Panel Trays to the Envision Display Assembly using #8 x 5/8" screws
3. Place the rubber matting into the Envision Panel and Jewelry Endcap Trays and Back Wall Shelves



??? QUESTIONS ??? Call us toll free at 1-888-249-2771

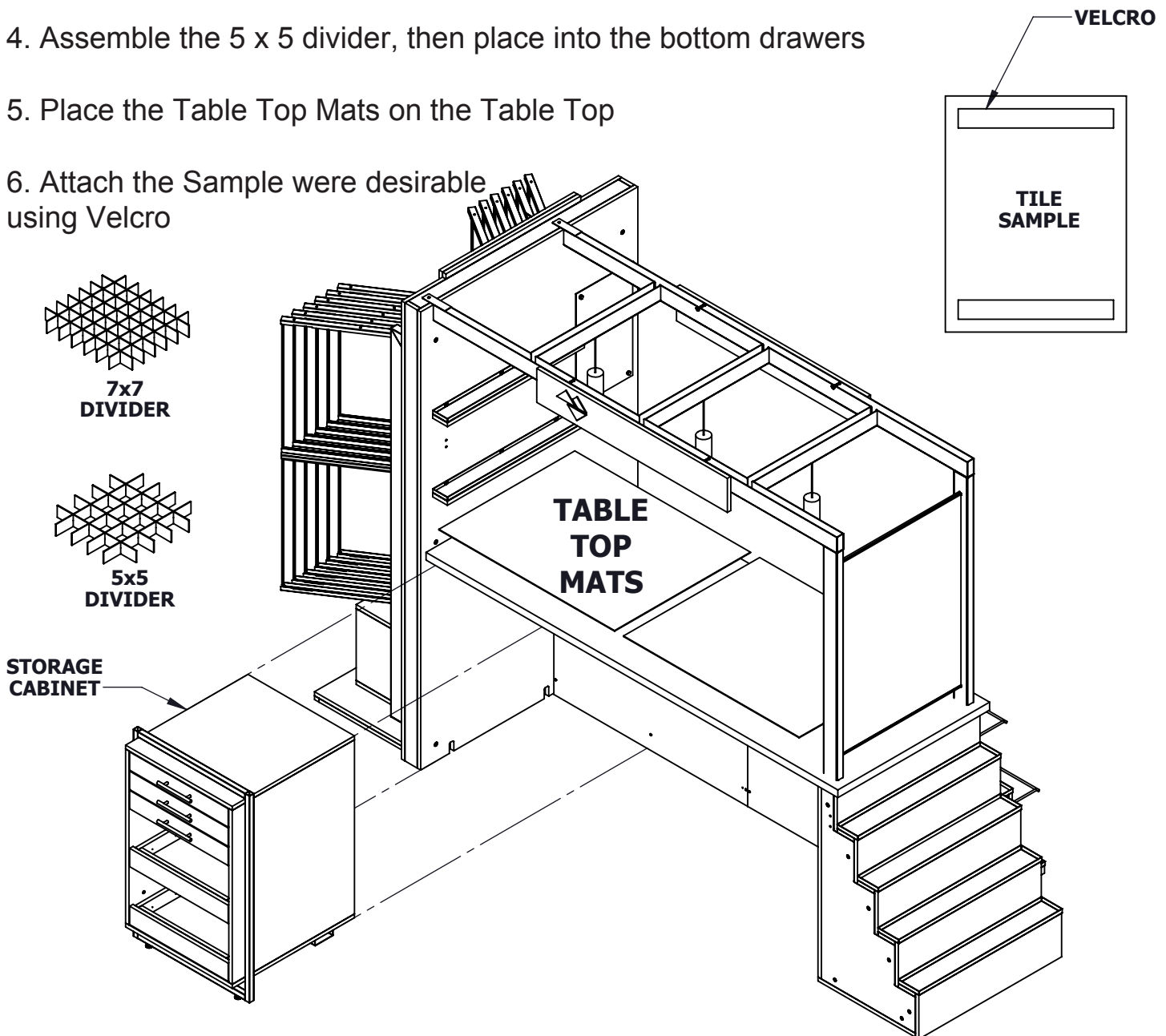


1. Attach the Envision Panel Spacer Bars to the Envision Display Assembly using #10 x 1.5" screws in white.
2. Attach the Envision Panel Safety Bars to the Envision Display Assembly using 30mm deco screws
3. Velcro the Jewelry Endcap and Envision Display Assembly side kicks



??? QUESTIONS ??? Call us toll free at 1-888-249-2771

1. Place the assembled Storage Cabinet under the Table Top and adjust the levelers to firmly press the cabinet against the bottom of the Table Top
2. Attach the Drawer Pulls to the drawers of Storage Cabinet
3. Assemble the 7 x 7 dividers, then place into the top 2 drawers
4. Assemble the 5 x 5 divider, then place into the bottom drawers
5. Place the Table Top Mats on the Table Top
6. Attach the Sample were desirable using Velcro



??? QUESTIONS ??? Call us toll free at 1-888-249-2771